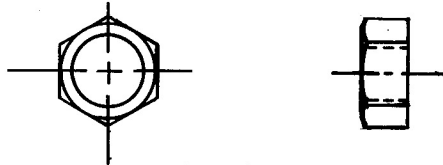
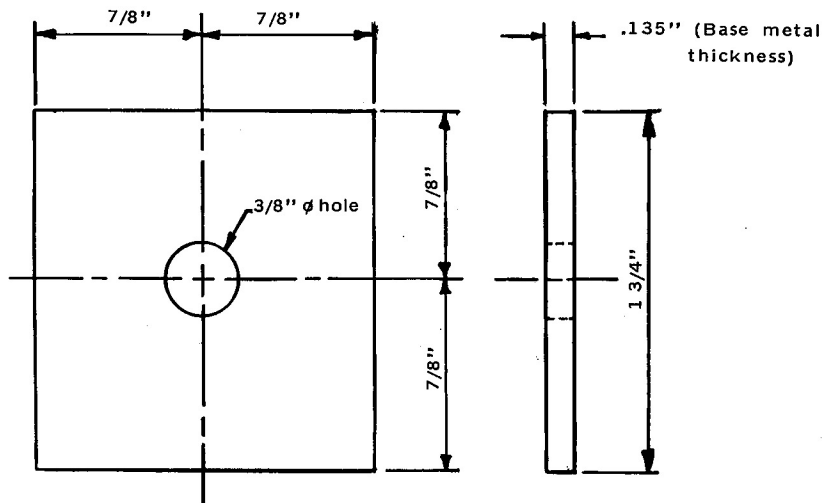


5/16" ϕ HEX BOLT



5/16" ϕ HEX NUT



SQUARE WASHER

SPECIFICATIONS

Bolts shall conform to the requirements of A.S.T.M. A307 and nuts to the requirements of A.S.T.M. A563, Grade A or better, and be galvanized in accordance with A.S.T.M. A153 except when corrosion resistant steel bolts are requested in which case bolts and nuts shall be made of steel having an atmospheric corrosion resistance approximately two times that of carbon structural steel with copper and shall not be galvanized. Corrosion resistant bolts and nuts shall conform to the mechanical requirements of A.S.T.M. A307 and A563, Grade A, respectively.

All bolts, galvanized or corrosion resistant, shall develop 4000 pounds minimum tensile strength.

Bolts and nuts shall be of the hex or heavy hex types.

Washers shall be made of steel meeting the requirements of A.S.T.M. A36 and shall be galvanized in accordance with the requirements of A.S.T.M. A123 except when corrosion resistant steel is requested in which case the washers shall be made of steel having an atmospheric corrosion resistance approximately two times that of carbon structural steel with copper and shall not be galvanized. No punching, drilling or cutting will be permitted after galvanizing.

Dimensional tolerances not shown or implied are intended to be those consistent with the proper functioning of the part, including its appearance, and accepted manufacturing practices.

INTENDED USE

This bolt and square washer are used to fasten "W" beam rail elements to posts in the standard "weak post" "W" beam guardrail and median barrier systems G2 and MB2 .

5/16" HEX BOLT AND NUT AND SQUARE WASHER

HM-TF-13

STANDARD

F - 4 - 76